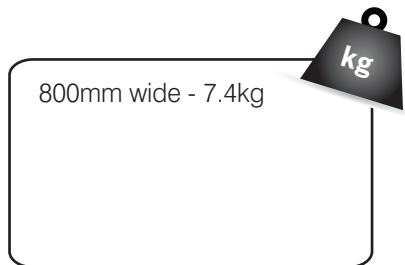
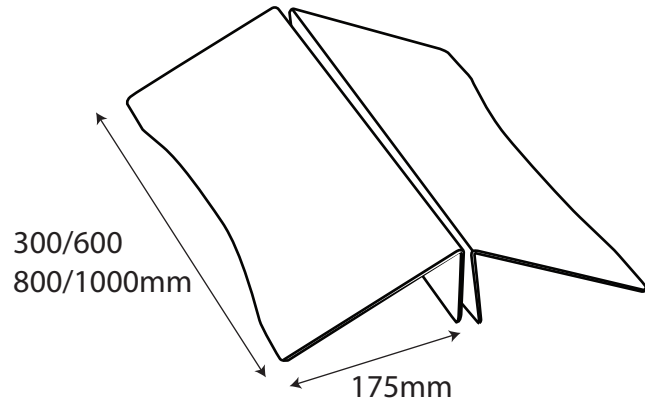
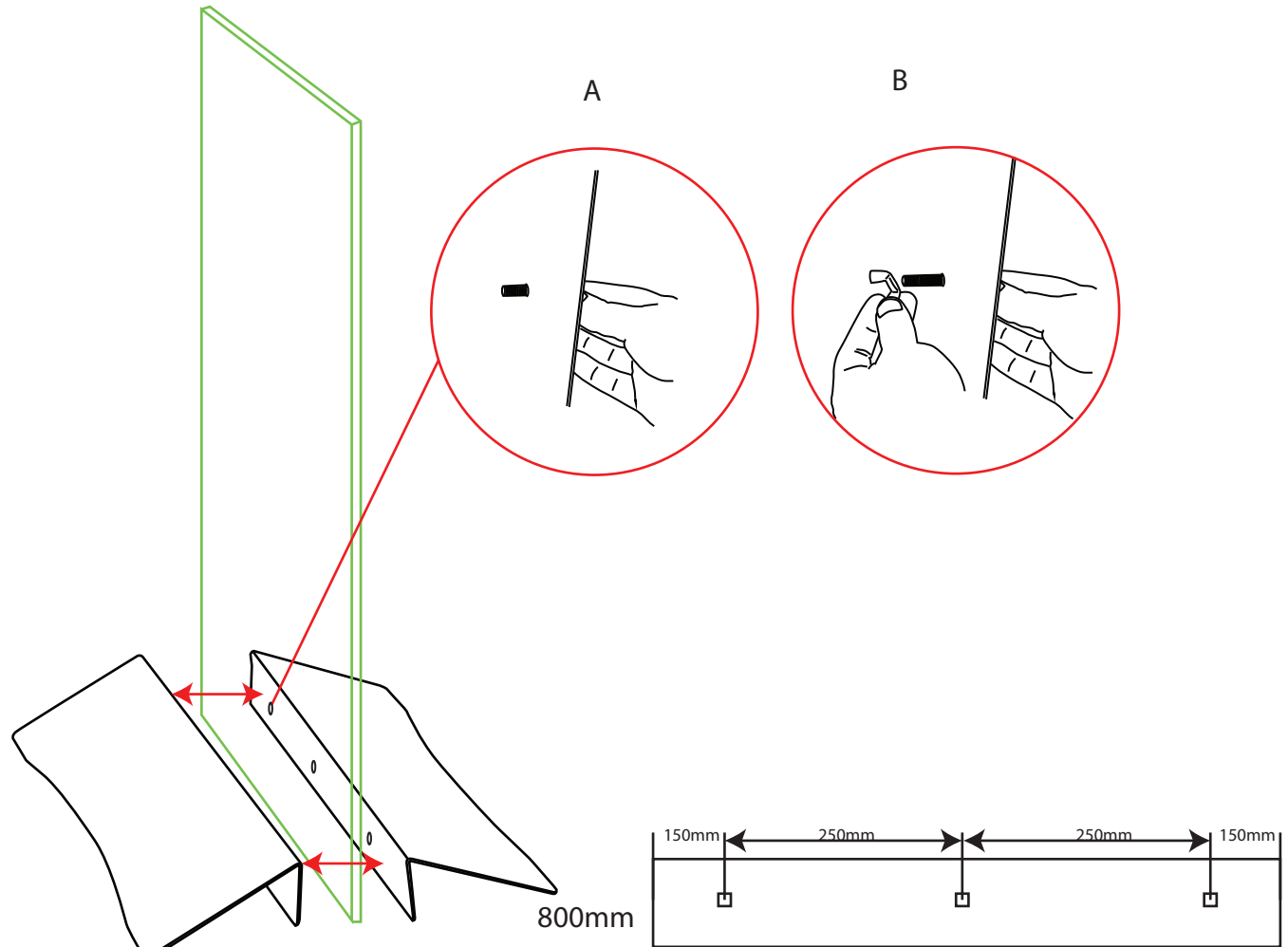


# Wedge



Graphic thickness 40mm Max  
Recommended maximum graphic height:  
1500mm high using 18mm thick MDF



Hole height from the bottom of the unit is 42.50mm  
8mm Bolt Supplied

Wedge rev4

Installation